

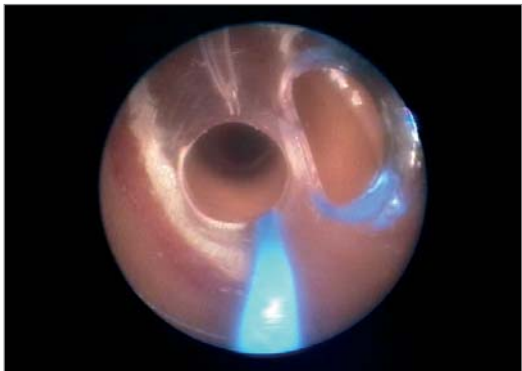
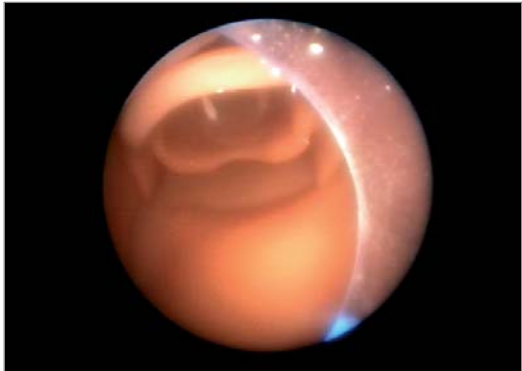
KARL STORZ –  
always at your side in an emergency

BONFILS and BRAMBRINCK Intubation Endoscopes



KARL STORZ –  
Synonymous with Innovation and Competence in Endoscopy  
for over 60 Years

The newest generation of BONFILS and BRAMBRINCK Intubation Endoscopes



### The visual solution for unexpected difficult airways and emergency medicine

- Retromolar oral insertion technique
- ETT as of 2.5 mm – the right size for every tube
- Tube insertion possible within seconds
- Suitable for both preclinical and clinical settings in emergency medicine
- Available as DCI® version\* for video intubation – i.e. for double lumen tube placement



### The newest generation combines advanced technology with maximum reliability

- 35,000 pixel light bundle
- Optimal distal 40° angle
- Offers continuous O<sub>2</sub> flow via tube adaptor
- Movable eyepiece allows optimal adjustment to any situation
- Integration into DCI® VIDEO INTUBATION SYSTEM via DCI® connection

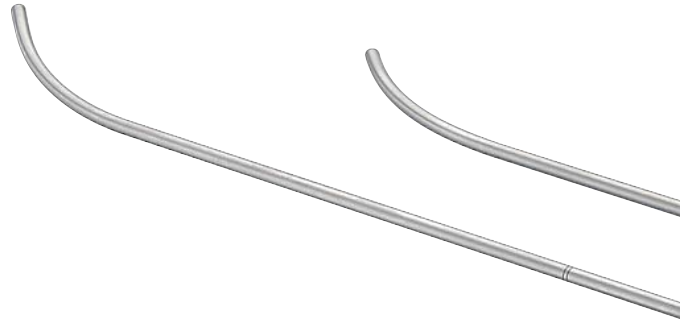
\* Direct Coupled Interface

---

# The newest generation of KARL STORZ BONFILS and BRAMBRINCK Intubation Endoscopes

## Methodology

- Thanks to the system's simple design, 3 different intubation techniques predominate in clinical practice:
  1. conventional retromolar access
  2. lateral access with the aid of a laryngoscope
  3. direct access with head/neck flexion.
- The introduction of the endotracheal tube is controlled until placement – eliminating semi-blind or blind advancement
- Oxygen flow via tube adaptor and ETT possible throughout the entire procedure
- First-class quality and continuous implementation of demands offers astounding robustness in this field
- All cold light sources in the KARL STORZ range available for illumination
- New LED battery light source is recommended for greater flexibility



## Hygienics

- Waterproof, fully immersible for cleaning, disinfection and sterilization up to 60°C
  - Sterilizable with EtO and FO-Gas, STERIS® and STERRAD®
-

## The New Generation, now with DCI® Connection for Integration into the DCI® VIDEO INTUBATION SYSTEM

In addition to the supraglottal device, the **DCI® VIDEO INTUBATION SYSTEM** has proved its worth as an integral component of a complete solution. It is particularly valuable for use with the mobile Airway Management Trolley and all solutions which utilize an Airway Management Algorithm. TELE PACK™, the core of the system, is connected to the small DCI® camera. The BERCI-KAPLAN DCI® video laryngoscope, the DCI® intubation fiberscopes and the new BONFILS and BRAMBRINCK DCI® intubation endoscopes all optimize the system, which is suitable for adults, children or infants.

AIDA-DVD is recommended for documentation and quality assurance.



Ready-for-use Airway Management Trolley  
with DCI® VIDEO INTUBATION SYSTEM



### Current Studies

- Halligan, Charters, "A clinical evaluation of the BONFILS Intubation Fibrescope", *Anaesthesia* 2003, 58 pages 1087-1091
- Bein, Worthmann, Scholz, Brinkmann, Tonner, Steinfath, Dörger, "A comparison of the intubating laryngeal mask airway and the BONFILS intubation fibrescope in patients with predicted difficult airway", *Anaesthesia* 2004, 59 pages 668-674
- Bein, Yan, Tonner, Scholz, Steinfath, Dörger, "Tracheal intubation using the BONFILS intubation fibrescope after failed direct laryngoscopy", *Anaesthesia* 2004, 59 pages 1207-1209
- Maybauer, Maier, Thierbach, „Eine unerwartet schwierige intubation – Das starre Intubationsfiberskop nach BONFILS“, *Anaesthesist*, Jan 2005, 54 pages 35-40

# POWER OF LIGHT

## The New KARL STORZ LED Battery Light Source for all Endoscopes

### Special features:

- Battery light source with extremely high light intensity of over 50,000 lux
- Available as battery and rechargeable version
- Absolute white light due to LED technology (5.500 K)
- Special light focus allows optimal light adjustment at the endoscope connector
- LED provides over 50,000 hours lifetime
- Burning time of 120/40 min



- 11301 D1 **Battery Light Source for Endoscopes**, with fine thread, LED technology, >50,000 lux, 5,500 K, for all KARL STORZ endoscopes, burning time >120 mins, waterproof and fully immersible for cleaning and disinfection, with 2 photo-batteries 121306P
- 11301 D2 **Same**, but with click connector
- 11301 D3 **Same**, but with coarse thread
- 11301 DE **LED Battery Light Source**, rechargeable, with click connection, can be connected to all KARL STORZ endoscopes, brightness >50,000 lux, color temperature 5,500 K, lithium-ion batteries, charging time: 60 min, burning time at 100% brightness: 40 mins, weight: approx. 150 g, surface disinfection
- 11301 DF **Same**, but with coarse thread
- 11301 DG **Charging Unit** for 11301 DE/11301 DF, for two LED-Battery Light Sources with fix integrated power supply and adapter for EU, UK, USA and Australia, 110V-240V / 50-60Hz, suitable for surface disinfection
- 11301 DH **Holder** for charging unit 11301DG



#### **LED Battery Light Source for Endoscopes – POWER OF LIGHT**

- 11301 D1 **Battery Light Source for Endoscopes**, with fine thread, LED-technology, >50.000lux, for all KARL STORZ Endoscopes, burning time >120min, water proof, fully immersible for cleaning and disinfection, with 2 Photo-Batteries 121306P
- 11301 D2 **Same**, with click connector
- 11301 D3 **Same**, with coarse thread

---

KARL STORZ – always at your side in an emergency!  
BRAMBRINCK Intubation Endoscope



11605 C BRAMBRINCK **Intubation Endoscope**, O.D. 2 mm, semiflexible magnification 40 x, working sheath length 22 cm, distal deflection 40°, including adaptor 10331 BA for tube fixation and O2 application

11605 CV BRAMBRINCK **Intubation Endoscope** with DCI connection, O.D. 2 mm, semiflexible magnification 40 x, working sheath length 22 cm, distal deflection 40° including adaptor 10331 BA for tube fixation and O2 application



## BONFILS Intubation Endoscope



- 10332 B    **BONFILS Retromolar Intubation Endoscope,**  
35.000 pixel, O.D. 3,5mm, for ETT 4,0 - 5,5mm, usable shaft length 35 cm, distal bending 40°, with movable eyepiece, including tube holder 10332BA for tube fixation and O2 application
- 10332 BD    **BONFILS Retromolar Intubation Endoscope,**  
with DCI-connection, 35.000pixel, O.D. 3,5mm, for ETT 4,0 - 5,5 mm, usable shaft length 35cm, distal bending 40°, with movable eyepiece, including tube holder 10332BA for tube fixation and O2 application

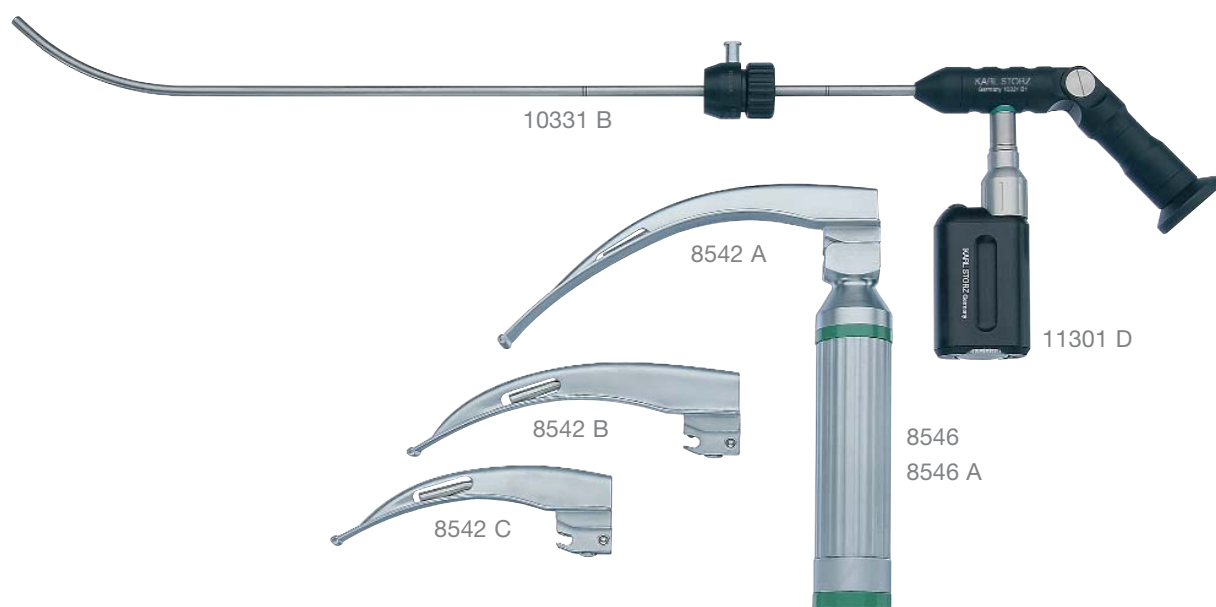
## BONFILS Intubation Endoscope



10331 B    **BONFILS Retromolar Emergency Intubation Fiberscope**,  
O.D. 5 mm, working length: 40 cm, distal bending 40°, with  
movable eyepiece, including Tube-Adaptor 10331 BA

10331 BD    **BONFILS Retromolar Intubation Endoscope**,  
35.000 pixel, with DCI connection, O.D. 5,0 mm, for ETT  
>5,5mm, usable shaft length 40 cm, distal bending 40°, with  
movable eyepiece, including tube holder 10331BA for tube  
fixation and O2 application

## RUDOLPH Intubation Set



- 10331 CA **RUDOLPH Intubation Set, consisting of:**
- 10331 B **BONFILS Retromolar Intubation Endoscope**
  - 11301 D4 **Battery Light Source, LED**
  - 8546 **Handle Sleeve, ISO 7376, only**
  - 8546 A **Battery Shell** including 2 Batteries (2 x 121306) and Xenon Lamp 8546 XA
  - 8542 A **McINTOSCH Laryngoscope Blade, TAKE-APART®**, size 4, Cold Light
  - 8542 B **McINTOSH Laryngoscope Blade, TAKE-APART®**, size 3, Cold Light
  - 8542 C **McINTOSH Laryngoscope Blade, TAKE-APART®**, size 2, Cold Light
  - 27677 BC **Case**
  - 8546 XC **Xenon Lamp Batteries, Baby Cells, LR 14 (2 x 121306)**
  - 10331 BA **Tube-Adaptor**
- 10330 CA **Same, with 10330 B**

ENDOWORLD



ENDOWORLD®

[WWW.KARLSTORZ.COM](http://WWW.KARLSTORZ.COM)

KARL STORZ GmbH & Co. KG  
Mittelstraße 8, 78532 Tuttlingen, Germany  
Postfach 230, 78503 Tuttlingen, Germany  
Phone: +49 7461 708-0  
Fax: +49 7461 708-105  
E-Mail: [info@karlstorz.de](mailto:info@karlstorz.de)  
[www.karlstorz.de](http://www.karlstorz.de)

KARL STORZ Endoscopy-America, Inc.  
600 Corporate Pointe  
Culver City, CA 90230-7600, USA  
Phone.: +1 / 310 / 338 8100  
          +1 / 800 / 421 0837  
Fax: +1 / 310 / 410 5527  
E-mail: [info@ksea.com](mailto:info@ksea.com)

**STORZ**  
KARL STORZ—ENDOSKOPE  
THE DIAMOND STANDARD